

CD4528BC Dual Monostable Multivibrator

General Description

The CD4528BC is a dual monostable multivibrator. Each device is retriggerable and resettable. Triggering can occur from either the rising or falling edge of an input pulse, resulting in an output pulse over a wide range of widths. Pulse duration and accuracy are determined by external timing components Rx and Cx.

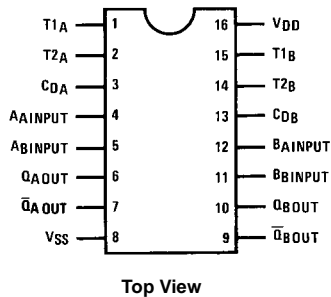
Features

- Wide supply voltage range: 3.0V to 18V
- Separate reset available
- Quiescent current = 5.0 nA/package (typ.) at 5.0 V_{DC}
- Diode protection on all inputs
- Triggerable from leading or trailing edge pulse
- Capable of driving two low-power TTL loads or one low-power Schottky TTL load over the rated temperature range

Ordering Code:

| Order Number | Package Number | Package Description |
|--------------|----------------|--|
| CD4528BCM | M16A | 16-Lead Small Outline Integrated Circuit (SOIC), JEDEC MS-012, 0.150" Narrow |
| CD4528BCN | N16E | 16-Lead Plastic Dual-In-Line Package (PDIP), JEDEC MS-001, 0.300" Wide |

Connection Diagram

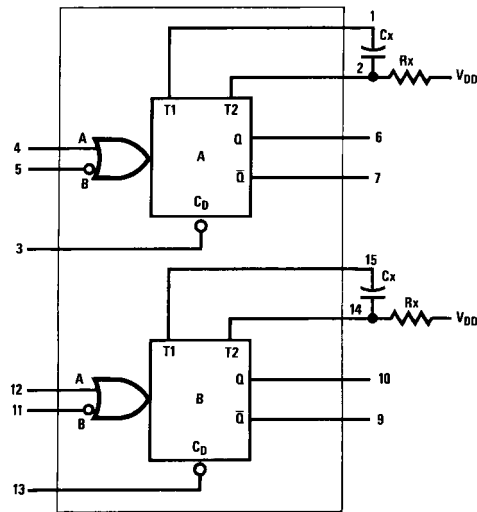


Truth Table

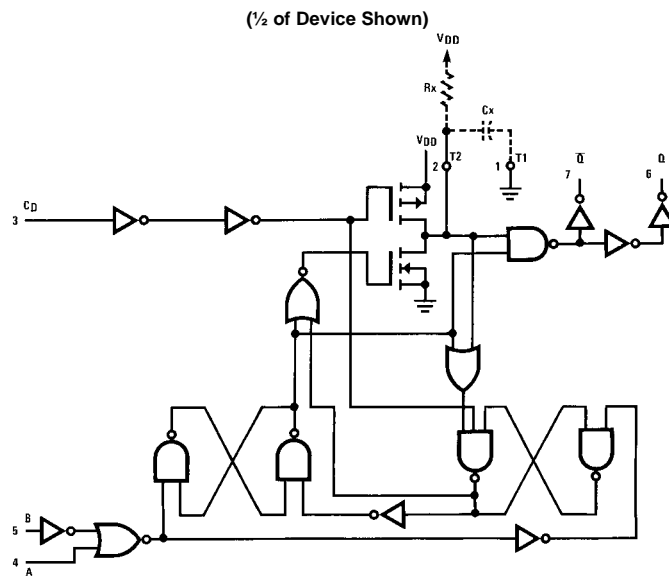
| Clear | Inputs | | Outputs | |
|-------|--------|---|---------|-----------|
| | A | B | Q | \bar{Q} |
| L | X | X | L | H |
| X | H | X | L | H |
| X | X | L | L | H |
| H | L | ↓ | ⌋ | ⌋ |
| H | ↑ | H | ⌋ | ⌋ |

H = HIGH Level
L = LOW Level
↑ = Transition from LOW-to-HIGH
↓ = Transition from HIGH-to-LOW
⌋ = One HIGH Level Pulse
⌋ = One LOW Level Pulse
X = Irrelevant

Block Diagram



Logic Diagram



Note: Externally ground pins 1 and 15 to pin 8.

Absolute Maximum Ratings (Note 1)

(Note 2)

| | |
|--|---|
| DC Supply Voltage (V_{DD}) | -0.5 V_{DC} to +18 V_{DC} |
| Input Voltage, All Inputs (V_{IN}) | -0.5 V_{DC} to V_{DD} +0.5 V_{DC} |
| Storage Temperature Range (T_S) | -65°C to +150°C |
| Power Dissipation (P_D) | |
| Dual-In-Line | 700 mW |
| Small Outline | 500 mW |
| Lead Temperature (T_L) | |
| (Soldering, 10 seconds) | 260°C |

Recommended Operating Conditions (Note 2)

| | |
|---------------------------------------|-------------------------|
| DC Supply Voltage (V_{DD}) | 3V to 15V |
| Input Voltage (V_{IN}) | 0V to V_{DD} V_{DC} |
| Operating Temperature Range (T_A) | -55°C to +125°C |

Note 1: "Absolute Maximum Ratings" are those values beyond which the safety of the device cannot be guaranteed. Except for "Operating Temperature Range", they are not meant to imply that the devices should be operated at these limits. The table of "Electrical Characteristics" provides conditions for actual device operation.

Note 2: $V_{SS} = 0V$ unless otherwise specified.

DC Electrical Characteristics (Note 3)

| Symbol | Parameter | Conditions | -55°C | | +25°C | | | +125°C | | Units |
|----------|--|-------------------------------------|-------|------|-------|------------|------|--------|------|---------|
| | | | Min | Max | Min | Typ | Max | Min | Max | |
| I_{DD} | Quiescent Device Current | $V_{DD} = 5V$ | | 5 | | 0.005 | 5 | | 150 | μA |
| | | $V_{DD} = 10V$ | | 10 | | 0.010 | 10 | | 300 | |
| | | $V_{DD} = 15V$ | | 20 | | 0.015 | 20 | | 600 | |
| V_{OL} | LOW Level Output Voltage | $V_{DD} = 5V$ | | 0.05 | | | 0.05 | | 0.05 | V |
| | | $V_{DD} = 10V$ | | 0.05 | | | 0.05 | | 0.05 | |
| | | $V_{DD} = 15V$ | | 0.05 | | | 0.05 | | 0.05 | |
| V_{OH} | HIGH Level Output Voltage | $V_{DD} = 5V$ | 4.95 | | 4.95 | 5.0 | | 4.95 | | V |
| | | $V_{DD} = 10V$ | 9.95 | | 9.95 | 10.0 | | 9.95 | | |
| | | $V_{DD} = 15V$ | 14.95 | | 14.95 | 15.0 | | 14.95 | | |
| V_{IL} | LOW Level Input Voltage | $V_{DD} = 5V, V_O = 0.5V$ or 4.5V | | 1.5 | | 2.25 | 1.5 | | 1.5 | V |
| | | $V_{DD} = 10V, V_O = 1V$ or 9V | | 3.0 | | 4.50 | 3.0 | | 3.0 | |
| | | $V_{DD} = 15V, V_O = 1.5V$ or 13.5V | | 4.0 | | 6.75 | 4.0 | | 4.0 | |
| V_{IH} | HIGH Level Input Voltage | $V_{DD} = 5V, V_O = 0.5V$ or 4.5V | 3.5 | | 3.5 | 2.75 | | 3.5 | | V |
| | | $V_{DD} = 10V, V_O = 1V$ or 9V | 7.0 | | 7.0 | 5.50 | | 7.0 | | |
| | | $V_{DD} = 15V, V_O = 1.5V$ or 13.5V | 11.0 | | 11.0 | 8.25 | | 11.0 | | |
| I_{OL} | LOW Level Output Current <small>(Note 4)</small> | $V_{DD} = 5V, V_O = 0.4V$ | 0.64 | | 0.51 | 0.88 | | 0.36 | | mA |
| | | $V_{DD} = 10V, V_O = 0.5V$ | 1.6 | | 1.3 | 2.25 | | 0.9 | | |
| | | $V_{DD} = 15V, V_O = 1.5V$ | 4.2 | | 3.4 | 8.8 | | 2.4 | | |
| I_{OH} | HIGH Level Output Current <small>(Note 4)</small> | $V_{DD} = 5V, V_O = 4.6V$ | -0.25 | | -0.2 | -0.36 | | -0.14 | | mA |
| | | $V_{DD} = 10V, V_O = 9.5V$ | -0.62 | | -0.5 | -0.9 | | -0.35 | | |
| | | $V_{DD} = 15V, V_O = 13.5V$ | -1.8 | | -1.5 | -3.5 | | -1.1 | | |
| I_{IN} | Input Current | $V_{DD} = 15V, V_{IN} = 0V$ | | -0.1 | | -10^{-5} | -0.1 | | -1.0 | μA |
| | | $V_{DD} = 15V, V_{IN} = 15V$ | | 0.1 | | 10^{-5} | 0.1 | | 1.0 | |

Note 3: $V_{SS} = 0V$ unless otherwise specified.

Note 4: I_{OH} and I_{OL} are tested one output at a time.

| AC Electrical Characteristics (Note 5) | | | | | | |
|---|---|--|----------------|----------------------------|-------------------|-------|
| T _A = 25°C, C _L = 50 pF, R _L = 200 kΩ, Input t _r = t _f = 20 ns, unless otherwise specified | | | | | | |
| Symbol | Parameter | Conditions | Min | Typ | Max | Units |
| t _r | Output Rise Time | t _r = (3.0 ns/pF) C _L + 30 ns, V _{DD} = 5.0V t _r = (1.5 ns/pF) C _L + 15 ns, V _{DD} = 10.0V t _r = (1.1 ns/pF) C _L + 10 ns, V _{DD} = 15.0V | | 180 90 65 | 400 200 160 | ns |
| t _f | Output Fall Time | t _f = (1.5 ns/pF) C _L + 25 ns, V _{DD} = 5.0V t _f = (0.75 ns/pF) C _L + 12.5 ns, V _{DD} = 10V t _f = (0.55 ns/pF) C _L + 9.5 ns, V _{DD} = 15.0V | | 100 50 35 | 200 100 80 | ns |
| t _{PLH} t _{PHL} | Turn-Off, Turn-On Delay A or B to Q or \bar{Q} C _x = 15 pF, R _x = 5.0 kΩ | t _{PLH} , t _{PHL} = (1.7 ns/pF) C _L + 240 ns, V _{DD} = 5.0V t _{PLH} , t _{PHL} = (0.66 ns/pF) C _L + 8 ns, V _{DD} = 10.0V t _{PLH} , t _{PHL} = (0.5 ns/pF) C _L + 65 ns, V _{DD} = 15.0V | | 230 100 65 | 500 250 150 | ns |
| | Turn-Off, Turn-On Delay A or B to Q or \bar{Q} C _x = 100 pF, R _x = 10 kΩ | t _{PLH} , t _{PHL} = (1.7 ns/pF) C _L + 620 ns, V _{DD} = 5.0V t _{PLH} , t _{PHL} = (0.66 ns/pF) C _L + 257 ns, V _{DD} = 10.0V t _{PLH} , t _{PHL} = (0.5 ns/pF) C _L + 185 ns, V _{DD} = 15.0V | | 230 100 65 | 500 250 150 | ns |
| t _{WL} t _{WH} | Minimum Input Pulse Width A or B C _x = 15 pF, R _x = 5.0 kΩ | V _{DD} = 5.0V V _{DD} = 10.0V V _{DD} = 15V | | 60 20 20 | 150 50 50 | ns |
| | C _x = 1000 pF, R _x = 10 kΩ | V _{DD} = 5.0V V _{DD} = 10.0V V _{DD} = 15.0V | | 60 20 20 | 150 50 50 | ns |
| PW _{OUT} | Output Pulse Width Q or \bar{Q} For C _x < 0.01 μF (See Graph for Appropriate V _{DD} Level) C _x = 15 pF, R _x = 5.0 kΩ | V _{DD} = 5.0V V _{DD} = 10.0V V _{DD} = 15.0V | | 550 350 300 | | ns |
| | For C _x > 0.01 μF Use PW _{out} = 0.2 R _x C _x ln [V _{DD} - V _{SS}] C _x = 10,000 pF, R _x = 10 kΩ | V _{DD} = 5.0V V _{DD} = 10.0V V _{DD} = 15.0V | 15 10 15 | 29 37 42 | 45 90 95 | μs |
| t _{PLH} t _{PHL} | Reset Propagation Delay, t _{PLH} , t _{PHL} C _x = 15 pF, R _x = 5.0 kΩ | V _{DD} = 5.0V V _{DD} = 10.0V V _{DD} = 15.0V | | 325 90 60 | 600 225 170 | ns |
| | C _x = 1000 pF, R _x = 10 kΩ | V _{DD} = 5.0V V _{DD} = 10.0V V _{DD} = 15.0V | | 7.0 6.7 6.7 | | μs |
| t _{RR} | Minimum Retrigger Time C _x = 15 pF, R _x = 5.0 kΩ C _x = 1000 pF, R _x = 10 kΩ | V _{DD} = 5.0V V _{DD} = 10.0V V _{DD} = 15.0V V _{DD} = 5.0V V _{DD} = 10.0V V _{DD} = 15.0V | | 0 0 0 0 0 0 | | ns |
| | Pulse Width Match between Circuits in the Same Package C _x = 10,000 pF, R _x = 10 kΩ | V _{DD} = 5.0V V _{DD} = 10.0V V _{DD} = 15.0V | | 6 8 8 | 25 35 35 | % |

Note 5: AC parameters are guaranteed by DC correlated testing.

Pulse Widths

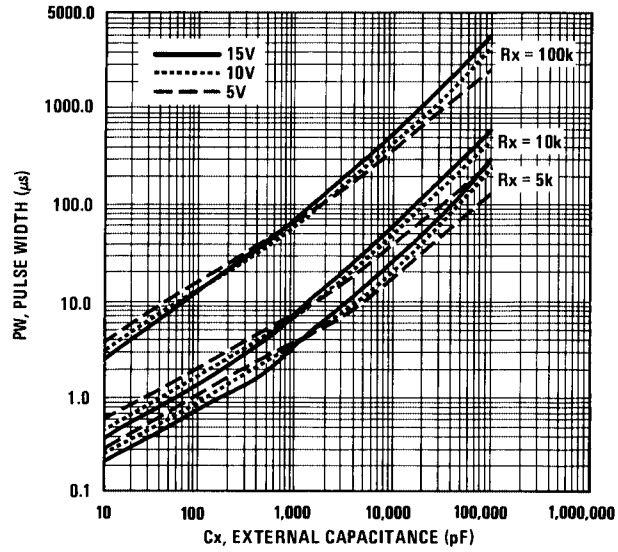


FIGURE 1. Pulse Width vs Cx

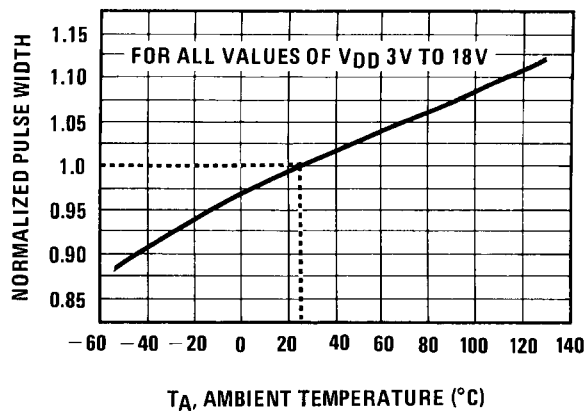
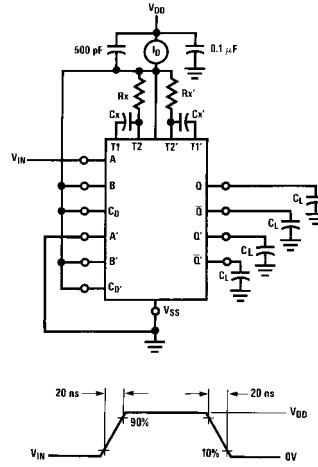


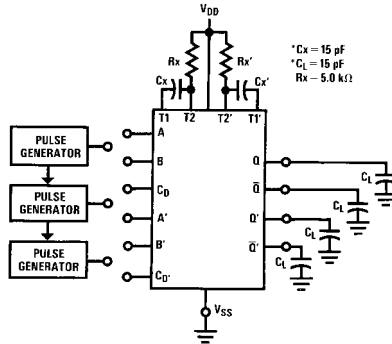
FIGURE 2. Normalized Pulse Width vs Temperature

AC Test Circuits and Waveforms



Duty Cycle = 50%

FIGURE 3. Power Dissipation Test Circuit and Waveforms



*Includes capacitance of probes, wiring, and fixture parasitic.
 Note: AC test waveforms for PG1, PG2, and PG3 in Figure 4.

Input Connections

| Characteristics | C_D | A | B |
|---|----------|----------|----------|
| t_{PLH} , t_{PHL} , t_r , t_f , PW_{out} , PW_{in} | V_{DD} | PG1 | V_{DD} |
| t_{PLH} , t_{PHL} , t_r , t_f , PW_{out} , PW_{in} | V_{DD} | V_{SS} | PG2 |
| $t_{PLH(R)}$, $t_{PHL(R)}$, PW_{in} | PG3 | PG1 | PG2 |

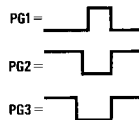


FIGURE 4. AC Test Circuit

AC Test Circuits and Waveforms (Continued)

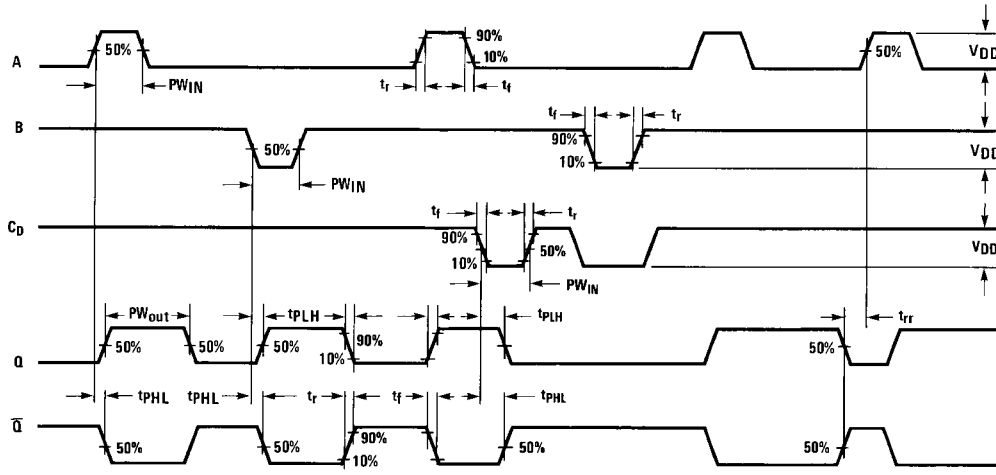
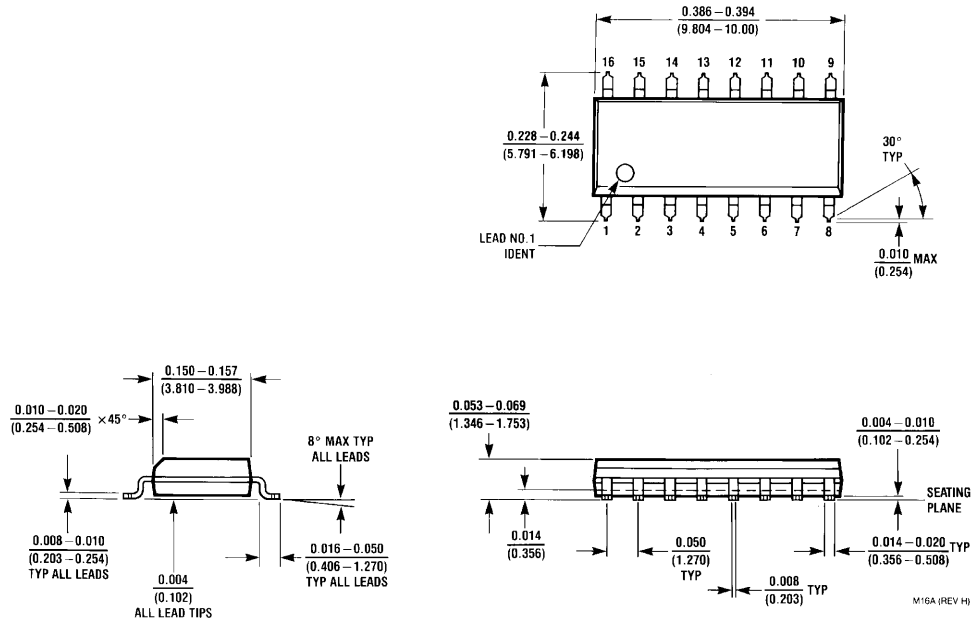


FIGURE 5. AC Test Waveforms

Physical Dimensions inches (millimeters) unless otherwise noted



16-Lead Small Outline Integrated Circuit (SOIC), JEDEC MS-012, 0.150" Narrow Package Number M16A

Physical Dimensions inches (millimeters) unless otherwise noted (Continued)



16-Lead Plastic Dual-In-Line Package (PDIP), JEDEC MS-001, 0.300" Wide Package Number N16E

Fairchild does not assume any responsibility for use of any circuitry described, no circuit patent licenses are implied and Fairchild reserves the right at any time without notice to change said circuitry and specifications.

LIFE SUPPORT POLICY

FAIRCHILD'S PRODUCTS ARE NOT AUTHORIZED FOR USE AS CRITICAL COMPONENTS IN LIFE SUPPORT DEVICES OR SYSTEMS WITHOUT THE EXPRESS WRITTEN APPROVAL OF THE PRESIDENT OF FAIRCHILD SEMICONDUCTOR CORPORATION. As used herein:

1. Life support devices or systems are devices or systems which, (a) are intended for surgical implant into the body, or (b) support or sustain life, and (c) whose failure to perform when properly used in accordance with instructions for use provided in the labeling, can be reasonably expected to result in a significant injury to the user.
2. A critical component in any component of a life support device or system whose failure to perform can be reasonably expected to cause the failure of the life support device or system, or to affect its safety or effectiveness.

www.fairchildsemi.com

This datasheet has been download from:

www.datasheetcatalog.com

Datasheets for electronics components.